

bat box



USER MANUAL



© bat bioacoustictechnology GmbH 2016

bat bioacoustictechnology GmbH
Hohe Str. 2, D-90610 Winkelhaid
<http://www.bioacoustictechnology.de>
support@bioacoustictechnology.de



State: January 2016

This manual belongs to the installation box BATbox (both with and without uninterruptible power supply, UPS) which is especially made for the installation of the bat-monitoring device BATmode at wind turbines. Please read these instructions completely and carefully before mounting the BATbox or installing the BATmode-System. The safety instructions contained within must be observed!

SAFETY INSTRUCTIONS



- Ensure a secure mounting of the BATbox. Dropping parts can harm persons or equipment.
- Ensure that nobody can stumble on the BATbox or installed power cable. Stumbling can harm persons and damage system parts.
- Only use accessories supplied or authorized by bat bioacoustic technology. The use of unauthorized accessories may damage the device.
- Please contact our support if the BATmode-System shows any damage or does not work properly. Do not open system parts and try to repair damage by yourself or through unauthorized personnel. This will cause the loss of warranty.
- When working on/in electrical plants, always follow the five safety rules in accordance with EN50110: 1. Disconnect mains 2. Secure against being switched on again 3. Determine voltage free status 4. Earth and short-circuit 5. Provide protection by covers or barriers for any neighboring live parts.
- If the integrated multiple socket shows any external damages caused by transport or improper handling, it must not be operated and must be taken out of service immediately.
- Keep the integrated multiple socket away from rain or moisture. Ingress of water may cause an electrical shock.
- To pull the power plug from the socket, pull the power plug directly never pull the power cable.
- Do not expose the equipment to extreme temperatures, solar radiation, humidity or moisture.

When using the uninterruptible power supply (UPS):

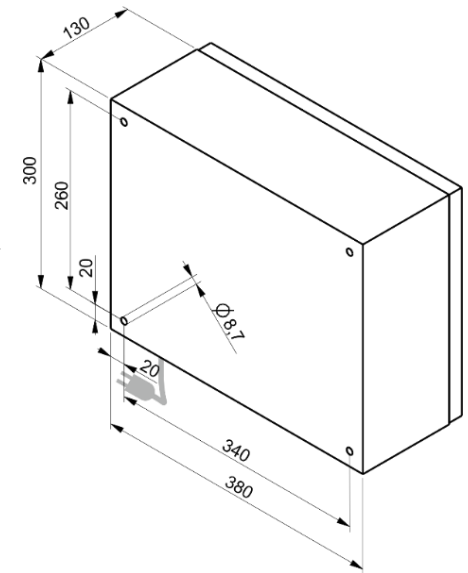
- Follow the safety instructions in the enclosed user manual of the UPS.
- Do not expose the UPS to extreme temperatures or direct solar radiation, as this may result in fire or electric shock.
- If the UPS shows any external damages, it must not be operated and must be taken out of service immediately.
- Do not attempt to open the UPS.

1. Mounting of the BATbox

Required tools:

Screws (maximum M8), screwdriver, possibly drill for predrilling mounting holes

For fixing, the BATbox has one mounting hole at every corner. Possibly, predrilling and the use of dowels may be necessary. For the exact positions of the holes, please see the adjacent drawing. Ensure an adequate earthing of the BATbox and all components installed.

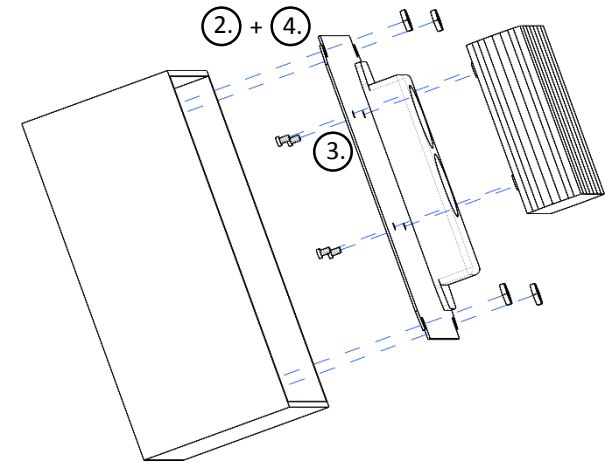


2. Installation of the BATmode

Required tools:

Crosshead screwdriver, wrench (13mm)

- ① Remove the base screws of the BATmode. Please note that the feet must remain at the bottom.
- ② Remove the nuts of the mounting plate and lift it, carefully. Please note that the mounting plate cannot be removed completely, due to the power cable.
- ③ Mount the BATmode with the supplied screws on the mounting plate at the holes provided. The on/off button should be on the side turning away from the ventilation grille.
- ④ Fix the mounting plate again in the BATbox with the nuts, which have been loosened previously.
- ⑤ Mount the power supply to a sidewall of the BATbox using the delivered Velcro and connect it to the free socket of the multiple socket.



3. Operation of the uninterruptible power supply (optional)

- Connect the BATmode to the prepared connecting cable.
- The correct output voltage is already preselected.