

F

E

D

C

B

A

Features

ADC Type: Delta-Sigma architecture with integrated adaptive anti-aliasing filter

Sample Rates [kHz]: 300, 250, 214, 187.5, 166.6, 150, 125, 100, 75, 62.5, 50

Resolution: 16 bit

Input Sensitivity: -9 dBV = -7dBu = 0.35 V_{rms}

Frequency Response (-3dB): 1 - 135 kHz / 0.1 - 135 kHz*

Input Impedance: 50 kOhm

Analog Input Connector: Female XLR-5 Socket

Analog Output: External Trigger Output (TTL-compatible) on XLR Pin 5

Computer Interface: USB 2.0, isochronous high Speed Mode

Physical USB Connection: Standard B-Type USB Socket

Supply Current: 120 mA (drawn from USB)

Housing: Compact Aluminum Enclosure

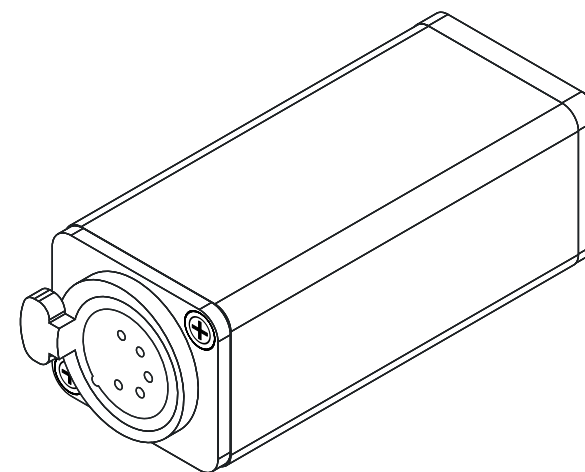
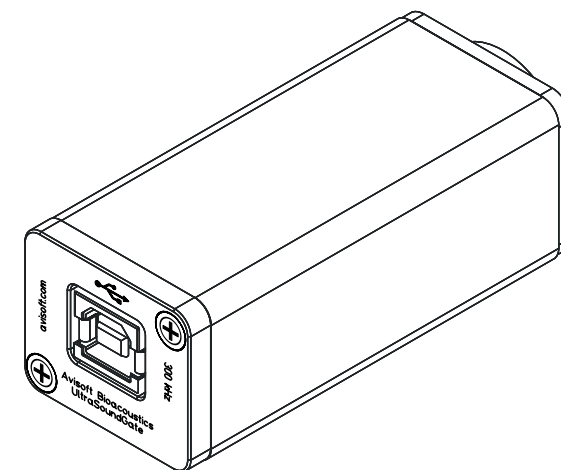
Housing Color: Silver / Black*

Included Software: Avisoft-RECORDER USGH*

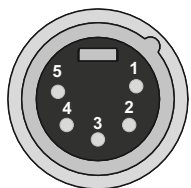
Compatible with Probat and the RENEBAT projects*

Suited for Bat and Bird Detection*

System Requirements: Windows Vista / 7 / 8 / 8.1 / 10 / 11




XLR-5 Microphone Connector Pinout



Pin	Description
1	Ground
2	Signal +
3	Signal -
4	5V supply voltage
5	Testsignal trigger

*depending in model (see page 3)

DESIGNED BY: Thomas Scharrer		UltraSoundGate 116		G	—
DATE: 17.11.2025				F	—
SIZE A4				E	—
SCALE 1:1	WEIGHT (kg) 0.09			DRAWING NUMBER 1.0	SHEET 1 of 4
This drawing is our property; it can't be reproduced or communicated without our written consent.				C	—
				B	—
				A	—

F

E

D

C

B

A

F

E

D

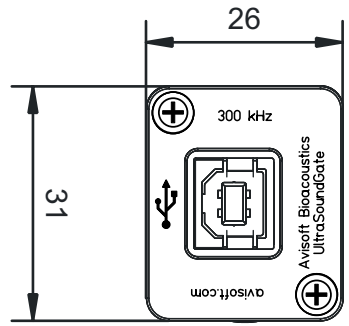
C

B

A

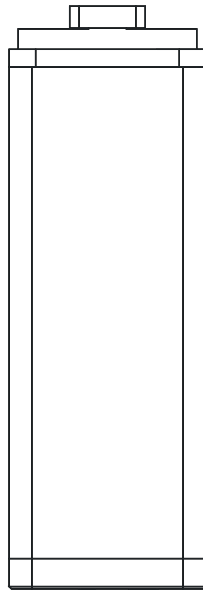
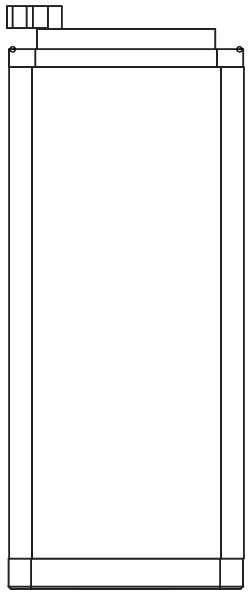
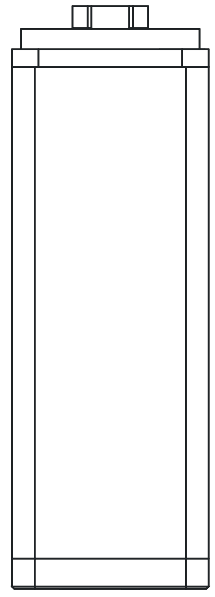
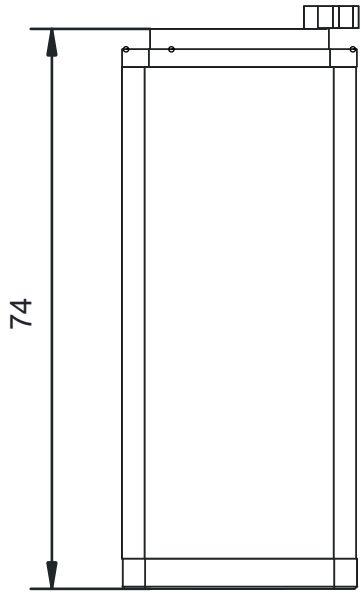
4

4



3

3

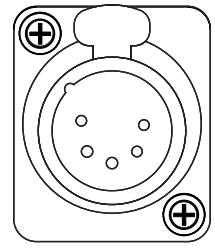


2


2

1

1



Dimensions in mm

DESIGNED BY: Thomas Scharrer		UltraSoundGate 116		G	—
DATE: 17.11.2025				F	—
SIZE A4				E	—
SCALE 1:1	WEIGHT (kg) 0.09			D	—
	DRAWING NUMBER 1.0	SHEET 2 of 4		C	—
This drawing is our property; it can't be reproduced or communicated without our written consent.				B	—
				A	—

F

E

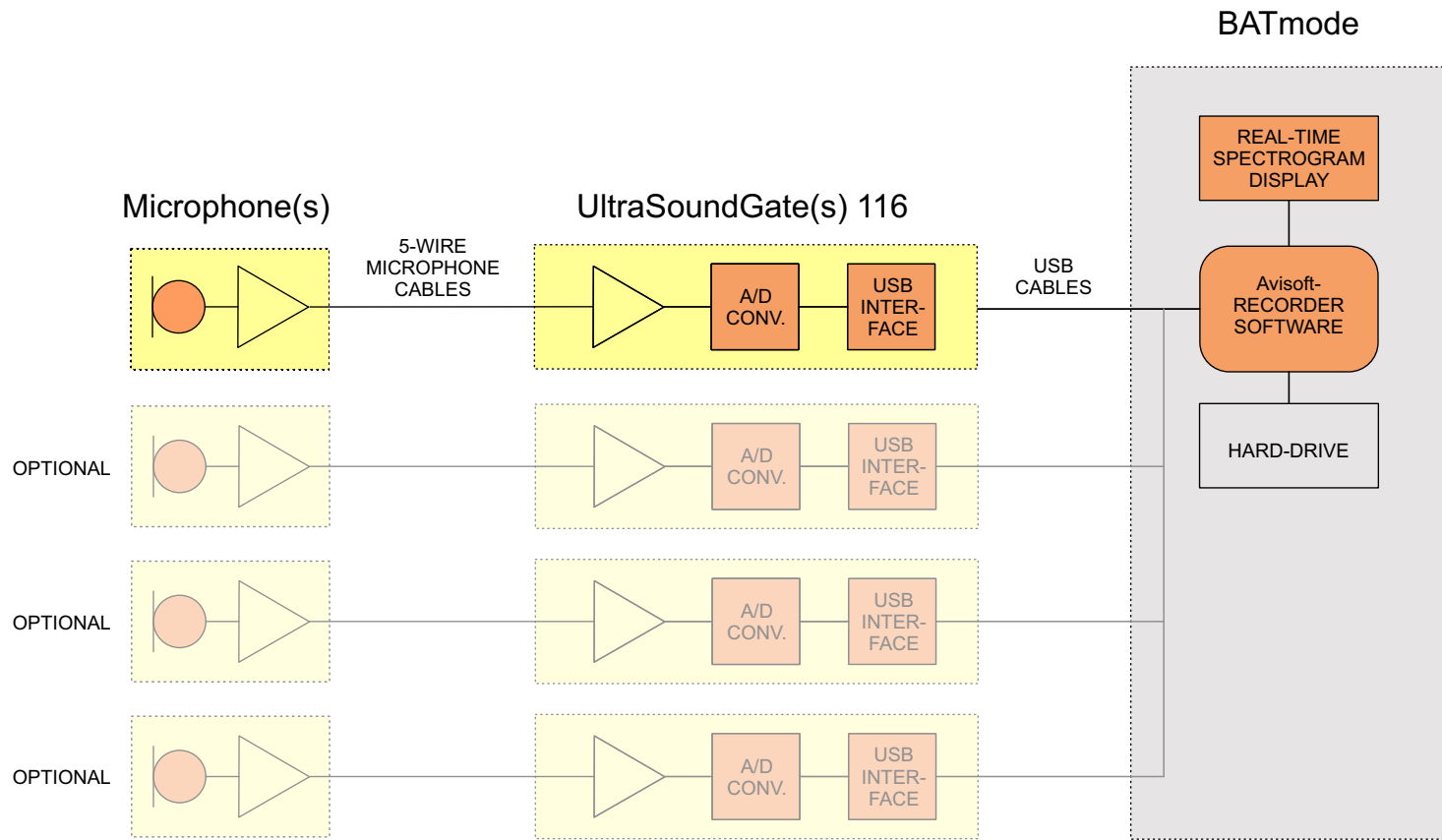
D


C

B

A

Principle of BATmode system with UltraSoundGate(s) 116



DESIGNED BY: Thomas Scharrer		UltraSoundGate 116		G	—
DATE: 17.11.2025				F	—
SIZE A4				E	—
SCALE	WEIGHT (kg) 0.09			DRAWING NUMBER 1.0	SHEET 4 of 4
This drawing is our property; it can't be reproduced or communicated without our written consent.				C	—
				B	—
				A	—